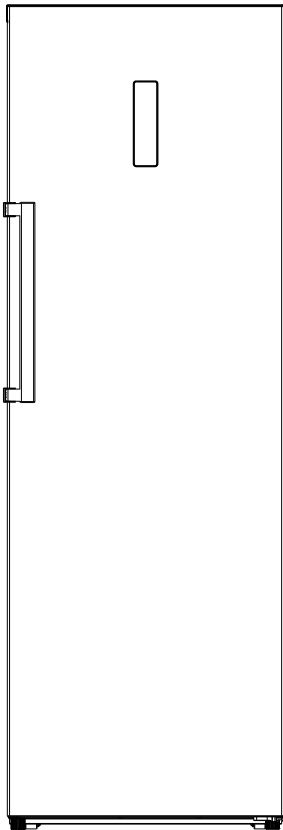




EN Fridge / User Manual








T60L2W
T60L2X

Thank you for choosing this product.

This user manual contains important information on safety and instructions intended to assist you in the operation and maintenance of your appliance.

Please take the time to read this user manual before using your appliance and keep this book for future reference.

Icon	Type	Meaning
	WARNING	Serious injury or death risk
	RISK OF ELECTRIC SHOCK	Dangerous voltage risk
	FIRE	Warning; Risk of fire / flammable materials
	CAUTION	Injury or property damage risk
	IMPORTANT	Operating the system correctly

CONTENTS

1 SAFETY INSTRUCTIONS	4
1.1 General Safety Warnings	4
1.2 Installation warnings	8
1.3 Electrical information (For UK type plug).....	8
1.4 During Usage.....	9
2 Overview.....	11
3 Installation.....	12
4 User interface.....	19
5 Daily Use.....	21

1 SAFETY INSTRUCTIONS

1.1 General Safety Warnings

Read this user manual carefully.

⚠ WARNING: Keep ventilation openings, in the appliance enclosure or in the built-in structure, clear of obstruction.

⚠ WARNING: Do not use mechanical devices or other means to accelerate the defrosting process, other than those recommended by the manufacturer.

⚠ WARNING: Do not use electrical appliances inside the food storage compartments of the appliance, unless they are of the type recommended by the manufacturer.

⚠ WARNING: Do not damage the refrigerant circuit.

⚠ WARNING: When positioning the appliance, ensure the supply cord is not trapped or damaged.

⚠ WARNING: Do not locate multiple portable socket-outlets or portable power supplies at the rear of the appliance.

⚠ WARNING: In order to avoid any hazards resulting from the instability of the appliance, it must be fixed in accordance with the instructions.

⚠ If your appliance uses R600a as a refrigerant (this information will be provided on the label of the cooler) you should take care during transportation and installation to prevent the cooler elements from being damaged. R600a is an environmentally friendly and

natural gas, but it is explosive. In the event of a leak due to damage of the cooler elements, move your fridge away from open flames or heat sources and ventilate the room where the appliance is located for a few minutes.

- While carrying and positioning the fridge, do not damage the cooler gas circuit.
- Do not store explosive substances such as aerosol cans with a flammable propellant in this appliance.
- This appliance is intended to be used in household and domestic applications such as:
 - staff kitchen areas in shops, offices and other working environments.
 - farm houses and by clients in hotels, motels and other residential type environments.
 - bed and breakfast type environments;
 - catering and similar non-retail applications.
- If the socket does not match the refrigerator plug, it must be replaced by the manufacturer, a service agent or similarly qualified persons in order to avoid a hazard.
- A specially grounded plug has been connected to the power cable of your refrigerator. This plug should be used with a specially grounded socket of 13 amperes. If there is no such socket in your house, please have one installed by an authorised electrician.

- This appliance can be used by children aged from 8 years and above and persons with reduced physical, sensory or mental capabilities or lack of experience and knowledge if they have been given supervision or instruction concerning use of the appliance in a safe way and understand the hazards involved. Children shall not play with the appliance. Cleaning and user maintenance shall not be made by children without supervision.
- Children aged from 3 to 8 years are allowed to load and unload refrigerating appliances. Children are not expected to perform cleaning or user maintenance of the appliance, very young children (0-3 years old) are not expected to use appliances, young children (3-8 years old) are not expected to use appliances safely unless continuous supervision is given, older children (8-14 years old) and vulnerable people can use appliances safely after they have been given appropriate supervision or instruction concerning use of the appliance. Very vulnerable people are not expected to use appliances safely unless continuous supervision is given.
- If the supply cord is damaged, it must be replaced by the manufacturer, an authorised service agent or similar qualified persons, in order to avoid a hazard.
- This appliance is not intended for use at altitudes exceeding 2000 m.

To avoid contamination of food, please respect the following instructions:

- Opening the door for long periods can cause a significant increase of the temperature in the compartments of the appliance.
- Clean regularly surfaces that can come in contact with food and accessible drainage systems
- Store raw meat and fish in suitable containers in the refrigerator, so that it is not in contact with or drip onto other food.
- Two-star frozen-food compartments are suitable for storing pre-frozen food, storing or making ice cream and making ice cubes.
- One-, two- and three-star compartments are not suitable for the freezing of fresh food.
- If the refrigerating appliance is left empty for long periods, switch off, defrost, clean, dry, and leave the door open to prevent mould developing within the appliance.

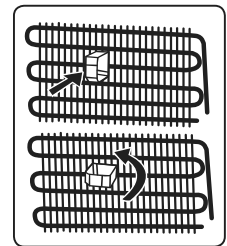
1.2 Installation warnings

Before using your fridge for the first time, please pay attention to the following points:


- The operating voltage for your fridge is 220-240 V at 50Hz.
- The plug must be accessible after installation.
- Your fridge may have an odour when it is operated for the first time. This is normal and the odour will fade when your fridge starts to cool.
- Before connecting your fridge, ensure that the information on the data plate (voltage and connected load) matches that of the mains electricity supply. If in doubt, consult a qualified electrician.
- Insert the plug into a socket with an efficient ground connection. If the socket has no ground contact or the plug does not match, we recommend you consult a qualified electrician for assistance.
- The appliance must be connected with a properly installed fused socket. The power supply (AC) and voltage at the operating point must match with the details on the name plate of the appliance (the name plate is located on the inside left of the appliance).
- We do not accept responsibility for any damages that occur due to ungrounded usage.
- Place your fridge where it will not be exposed to direct sunlight.
- Your fridge must never be used outdoors or exposed to rain.
- Your appliance must be at least 50 cm away from stoves, gas ovens and heater cores, and at least 5 cm away from electrical ovens.
- If your fridge is placed next to a deep freezer, there must be at least 2 cm between them to prevent humidity forming on the outer surface.
- Do not cover the body or top of fridge with lace. This will affect the performance of your fridge.
- Clearance of at least 150 mm is required

at the top of your appliance. Do not place anything on top of your appliance.


- Do not place heavy items on the appliance.
- Clean the appliance thoroughly before use (see Cleaning and Maintenance).
- Before using your fridge, wipe all parts with a solution of warm water and a teaspoon of sodium bicarbonate. Then, rinse with clean water and dry. Return all parts to the fridge after cleaning.
- Use the adjustable front legs to make sure your appliance is level and stable. You can adjust the legs by turning them in either direction. This must be done before placing food in the appliance.
- Install the two plastic distance guides (the parts on the black vanes -condenser- at the rear) by turning it 90° (as shown in the figure) to prevent the condenser from touching the wall.
- The distance between the appliance and back wall must be a maximum of 75 mm.



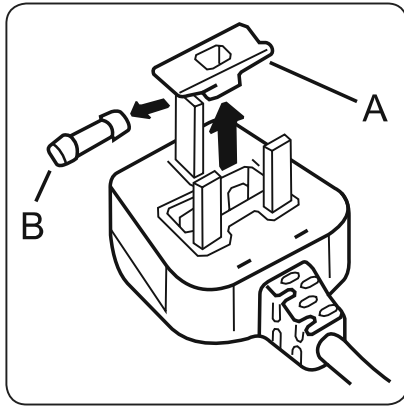
1.3 Electrical information (For UK type plug)

 **Warning!** This appliance must be earthed.

The mains lead of this appliance has been fitted with a specially earthed plug.

 **Important:** Do not use the appliance without the fuse cover in position. Should the fuse need to be replaced, it must be replaced with a 13A fuse, ASTA approved to BS1362.

The plug must be used with a specially earthed socket of 13 amperes. If there is no such socket in your house, please have one installed by an authorised electrician.



The mains lead of this appliance has been fitted with a BS 1363A 13A fused plug. To change a fuse in this type of plug, follow the steps below:

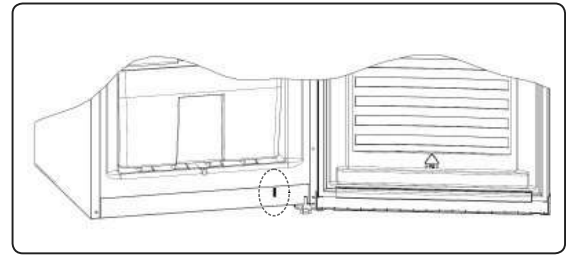
1. Remove the fuse cover and fuse.
2. Fit replacement 13A fuse, ASTA approved to BS 1362 type, into the fuse cover.
3. Replace fuse cover.

1.4 During Usage

- Do not connect your fridge to the mains electricity supply using an extension lead.
- Do not use damaged, torn or old plugs.
- Do not pull, bend or damage the cord.
- Do not use plug adapter.
- This appliance is designed for use by adults. Do not allow children to play with the appliance or hang off the door.
- Never touch the power cord/plug with wet hands. This may cause a short circuit or electric shock.
- Do not place explosive or flammable material in your fridge. Place drinks with high alcohol content vertically in the fridge compartment and make sure their tops are tightly closed.

When the door of the fridge is closed, a vacuum seal will form. Wait for 1 minute before reopening it.

This application is optional for easy opening of the door. With this application, a little condensation may occur around this area and you may remove it.



Old and Out-of-order Fridges

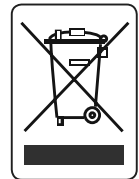
- If your old fridge or freezer has a lock, break or remove the lock before discarding it, because children may get trapped inside it and may cause an accident.
- Old fridges and freezers contain isolation material and refrigerant with CFC. Therefore, take care not to harm environment when you are discarding your old fridges.

CE Declaration of conformity

We declare that our products meet the applicable European Directives, Decisions and Regulations and the requirements listed in the standards referenced.

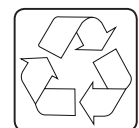
Disposal of your old appliance

The symbol on the product or on its packaging indicates that this product may not be treated as household waste. Instead it shall be handed over to the applicable collection point for the recycling of electrical and electronic equipment. By ensuring this product is disposed of correctly, you will help prevent potential negative consequences for the environment and human health, which could otherwise be caused by inappropriate waste handling of this product. For more detailed information about recycling of this product, please contact your local city office, your household waste disposal service or the shop where you purchased the product.



Packaging and the Environment

Packaging materials protect your machine from damage that may occur during transportation. The packaging materials are environmentally friendly as they are recyclable. The use of recycled material reduces raw material consumption and

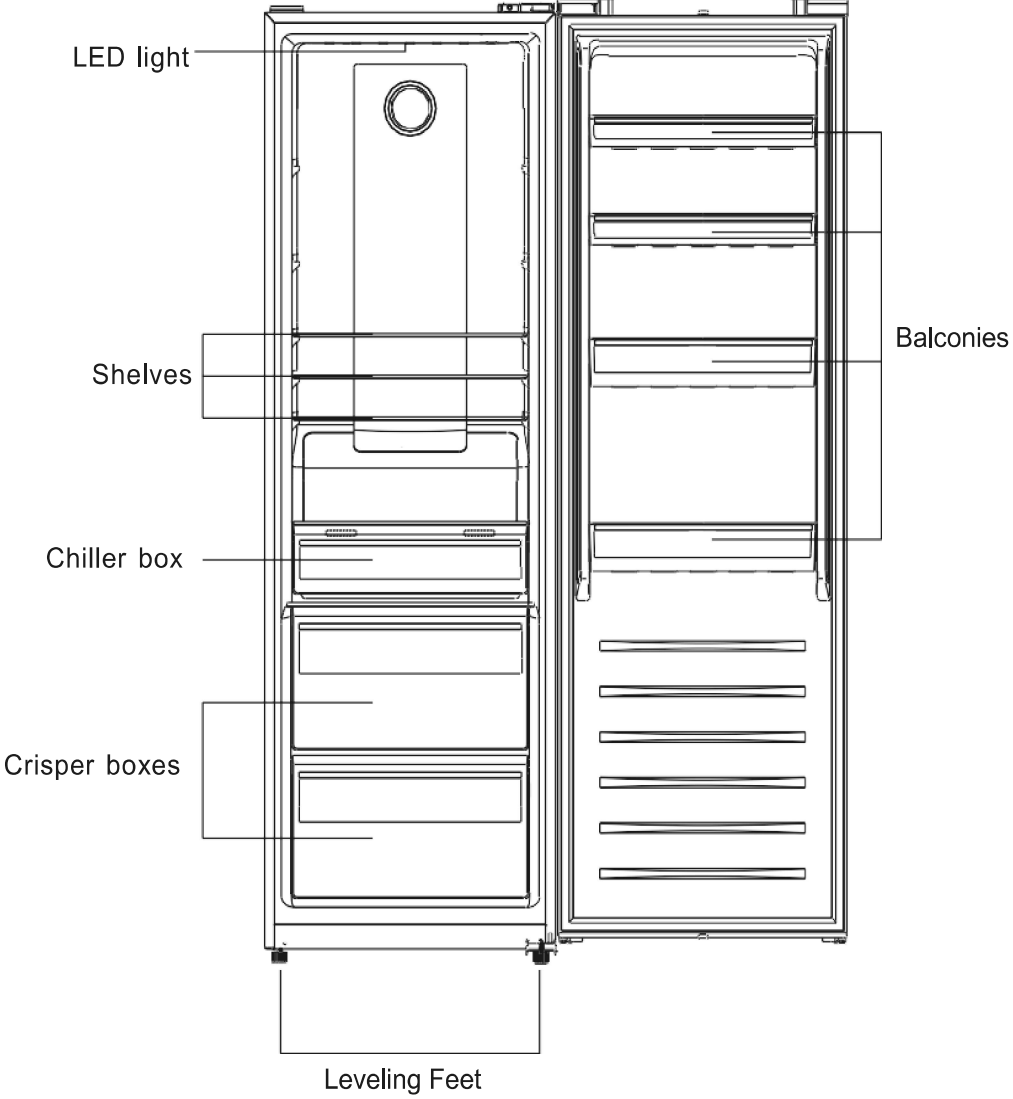


therefore decreases waste production.

Notes:

- Please read the instruction manual carefully before installing and using your appliance. We are not responsible for the damage occurred due to misuse.
- Follow all instructions on your appliance and instruction manual, and keep this manual in a safe place to resolve the problems that may occur in the future.
- This appliance is produced to be used in homes and it can only be used in domestic environments and for the specified purposes. It is not suitable for commercial or common use. Such use will cause the guarantee of the appliance to be cancelled and our company will not be responsible for any losses incurred.
- This appliance is produced to be used in houses and it is only suitable for cooling / storing foods. It is not suitable for commercial or common use and/or for storing substances except for food. Our company is not responsible for any losses incurred by inappropriate usage of the appliance.

Overview



Note: Above picture is for reference only. Real appliance probably is different.

Installation

Space Requirement

- Select a location without direct exposure to sunlight;
- Select a location with enough space for the refrigerator doors to open easily;
- Select a location with level (or nearly level) flooring;
- Allow sufficient space to install the refrigerator on a flat surface;
- Allow clearance to the right, left, back and top when installing. This will help reduce power consumption and keep your energy bills lower.
- It is advisable to keep at least 10mm gap at two sides.

Positioning

Install this appliance at a location where the ambient temperature corresponds to the climate class indicated on the rating plate of the appliance:


for refrigerating appliances with climate class:

- extended temperate: this refrigerating appliance is intended to be used at ambient temperatures ranging from 10 °C to 32 °C (SN);
- temperate: this refrigerating appliance is intended to be used at ambient temperatures ranging from 16 °C to 32 °C (N);
- subtropical: this refrigerating appliance is intended to be used at ambient temperatures ranging from 16 °C to 38 °C (ST);
- tropical: this refrigerating appliance is intended to be used at ambient temperatures ranging from 16 °C to 43 °C (T);

Location

The appliance should be installed well away from sources of heat such as radiators, boilers, direct sunlight etc. Ensure that air can circulate freely around the back of the cabinet. To ensure best performance, if the appliance is positioned below an overhanging wall unit, the minimum distance between the top of the cabinet and the wall unit must be at least 50 mm. Ideally, however, the appliance should not be positioned below overhanging wall units. Accurate leveling is ensured by one or more adjustable feet at the base of the cabinet.

This refrigerating appliance is not intended to be used as a built-in appliance;

 **Warning!** It must be possible to disconnect the appliance from the mains power supply; the plug must therefore be easily accessible after installation.

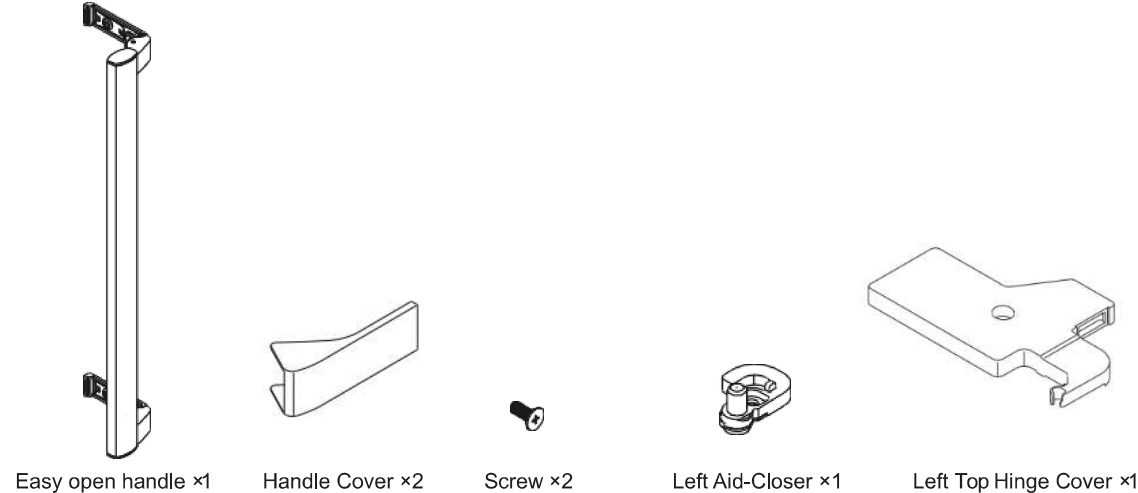
Electrical connection

Before plugging in, ensure that the voltage and frequency shown on the rating plate correspond to your domestic power supply. The appliance must be earthed. The power supply cable plug is provided with a contact for this purpose. If the domestic power supply socket is not earthed, connect the appliance to a separate earth in compliance with current regulations, consulting a qualified electrician. The manufacturer declines all responsibility if the above safety precautions are not observed. This appliance complies with the E.E.C. Directives.

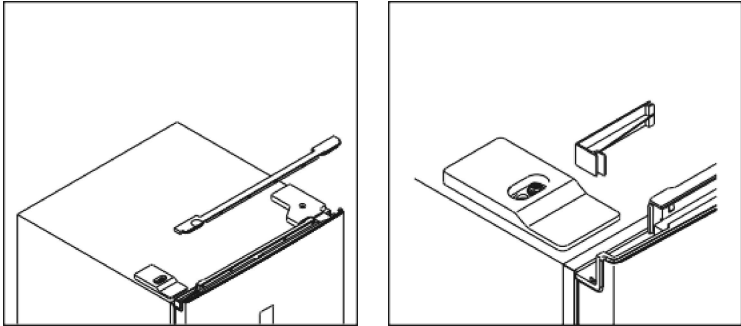
Installation

Door Reversibility

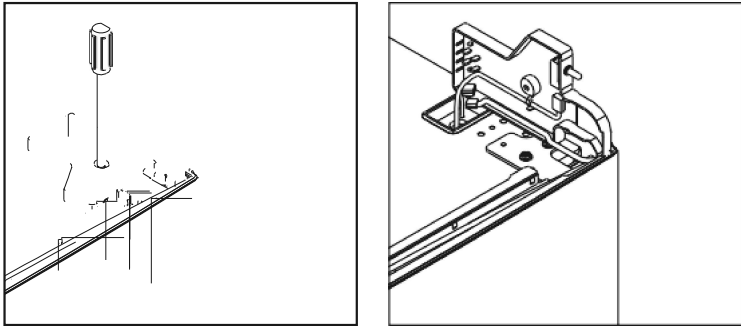
Before reversing the door, please be prepared below tools and material: straight screwdriver, cross screwdriver, spanner and the components included in the poly bag.



1 Remove upper wire box covers.

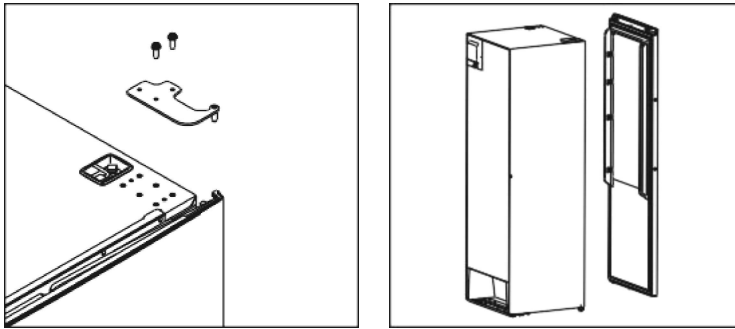


2 Unscrew right top hinge cover, and disconnect connectors of door switch and display.

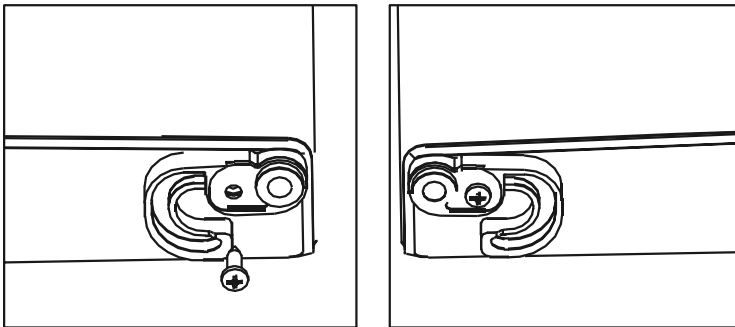


Installation

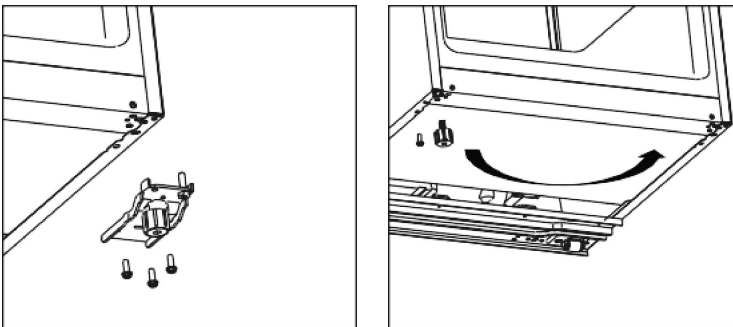
1. Unscrew and remove the top hinge, and then remove the door.



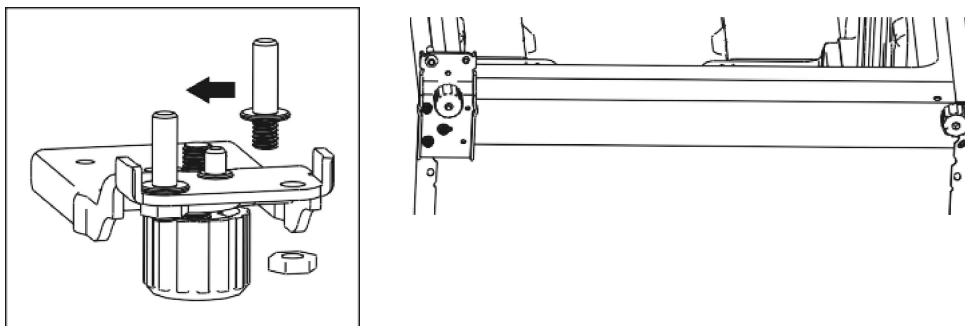
2. Remove the right aid-closer, and take out left aid-closer from accessories bag and install it at left side.



3. Unscrew the bottom hinge, and remove the adjustable foot from the left side to the right side.

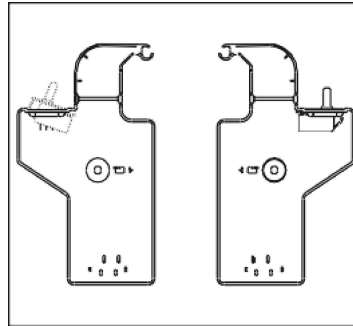
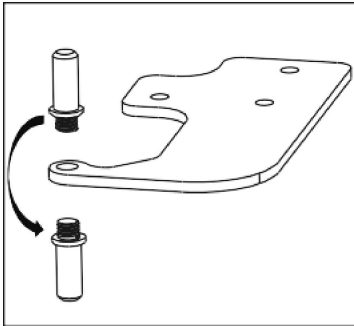


4. Unscrew and move the bottom hinge pin from the right side to the left side, then install the bottom hinge on the left side of the appliance.

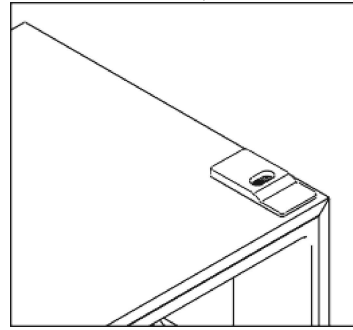
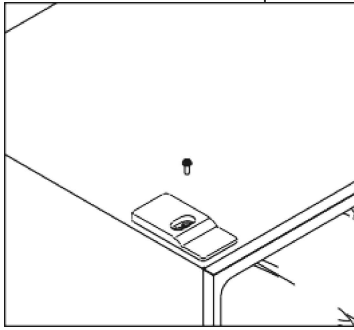


Installation

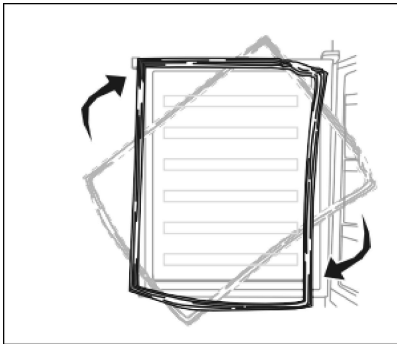
1. Unscrew and move the top hinge pin from bottom side to upper side. Remove door switch from right hinge cover and then install it in left hinge cover which is placed in accessory bag.



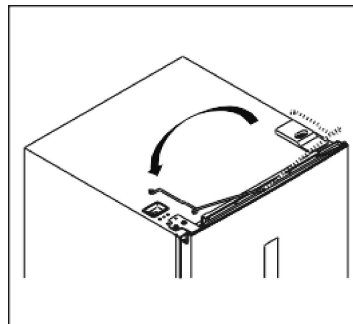
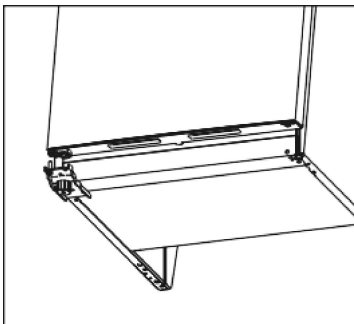
2. Unscrew and move the top decorative cover on the left side, and install it on the right side.



9. Detach the Fridge and the Freezer door gaskets and then attach them after rotating.

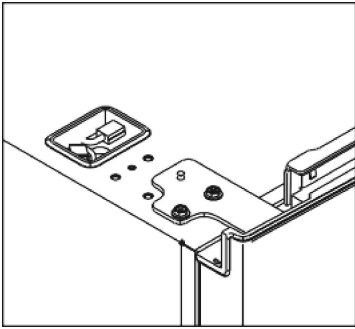


10. Install the door, and then move the connecting wires from right side to left side.

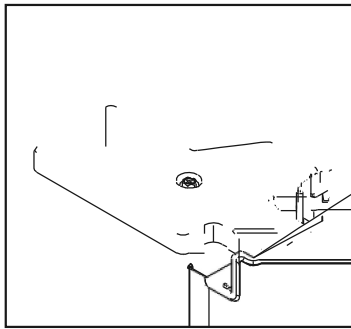
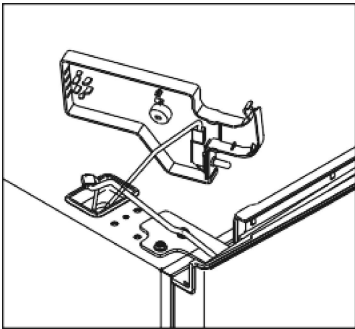


Installation

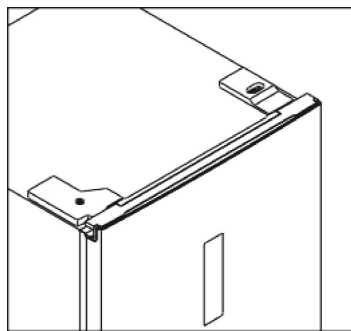
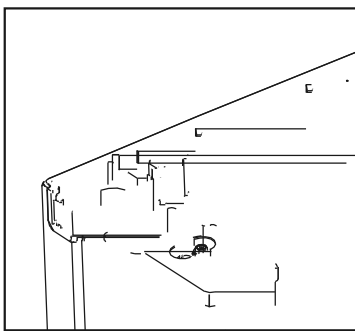
11. Install the top hinge to the left side, please slightly adjust the top hinge while installing to make sure gasket is well sealed.



12. Connect connectors of door switch and display, and install the left top hinge cover.



13. Install the upper wire box covers to the right side.

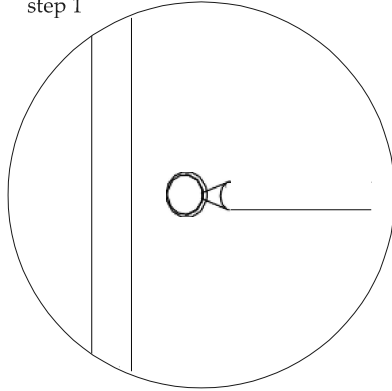


Installation

Easy open handle installation

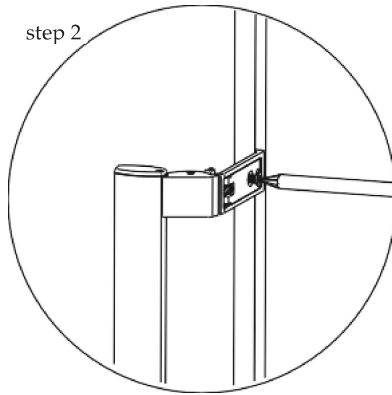
1. Remove the screw hole covers.

step 1



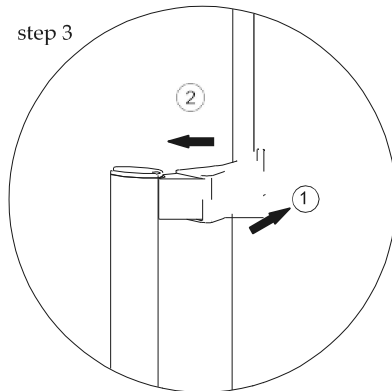
2. Take out the easy open handle which is placed in crisper drawer, and install it.

step 2



3. Install the easy open handle covers.

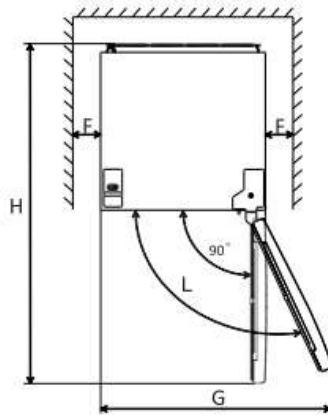
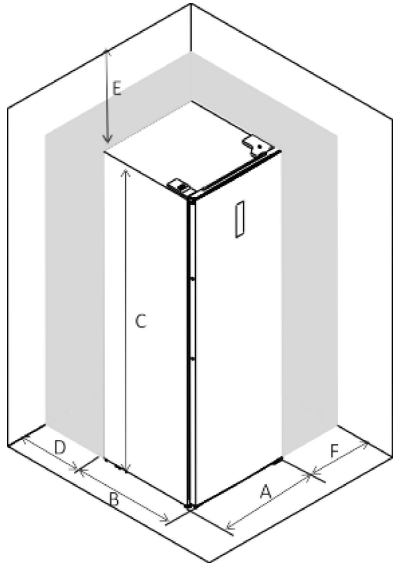
step 3



Installation

Space Requirement

- Keep enough space of door open.
- It is advisable to keep at least 10mm gap at two sides.



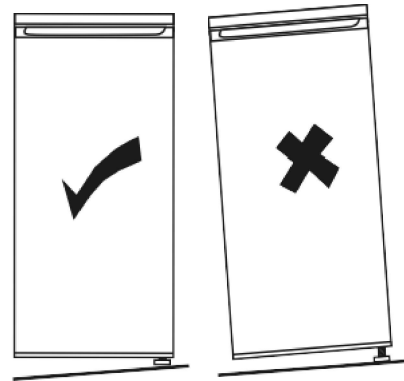
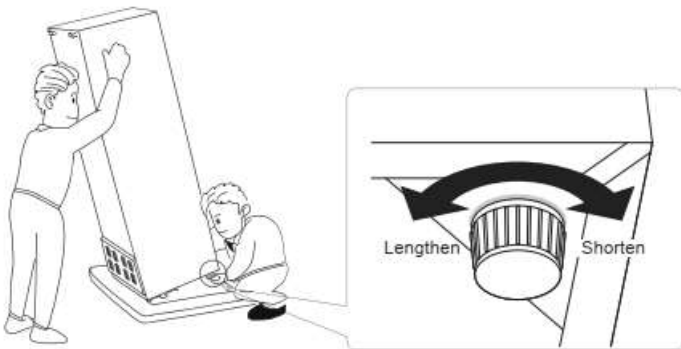
A	600
B	650
C	1850
D	min=50
E	min=50
F	min=50
G	835
H	1323
L	115°

Note: this refrigerating appliance is not intended to be used as a built-in appliance.

Levelling the unit

To do this adjust the two levelling feet at front of the unit.

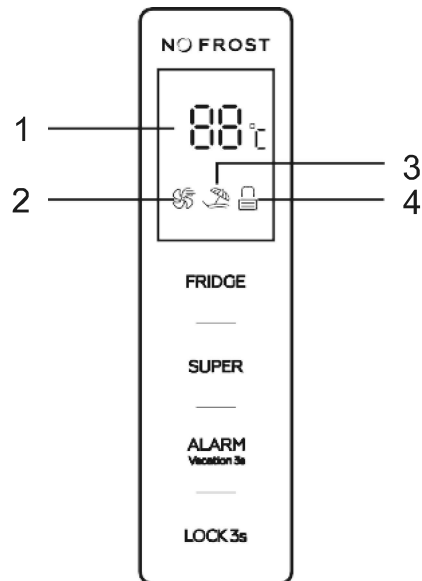
If the unit is not level, the doors and magnetic seal alignments will not be covered properly.



User interface

Using the Control Panel

1.0 User interface introduction



1.1 Operation buttons

FRIDGE: Temperature control of the appliance

SUPER: Select and deselect super mode

ALARM/VACATION: Clear door opening alarm, select and deselect vacation mode

LOCK: Locking and unlocking

1.2 LED display

1. Display window for preset temperature

2. Super mode icon

3. Vacation mode icon

4. Locking and unlocking icon

2.0 Illustration of the buttons

All buttons are valid only in unlocking status.

Short beep after per touching of buttons.

User interface

2.1 FRIDGE: Temperature control of the appliance

Available only for user defined mode. Follow methods below to deselect super mode and vacation mode, and then user defined mode is selected.

2.2 SUPER: Select and deselect super mode

Press **"SUPER"** button to select super mode. After 5 seconds flashing of super mode icon, super mode is selected.

When super mode is selected, super mode icon will light on, and display window will show 2°C. In super mode, touching **"FRIDGE"** button, super mode icon will flash 3 times, but fridge temperature can not be changed.

To exit Super mode,

- Press **"SUPER"** button to deselect Super mode,
- Or after 3 hours of super mode without any operation, the refrigerator will automatically stop it and enter to previous setting.

Warning:

In super mode, noise of the appliance may be slightly higher than normal running.

2.3 ALARM/VACATION: Clear door opening alarm, select and deselect vacation mode

Short touching **"ALARM/VACATION"** button to clear door opening alarm.


Touching **"ALARM/VACATION"** button for 3 seconds to select vacation mode. After 5 seconds flashing of vacation mode icon, vacation mode is selected.

When vacation mode is selected, vacation mode icon will light on, and display window will show 17°C. In vacation mode, **"FRIDGE"** button will not respond to any touching.


Short touching **"SUPER"** button can exit vacation mode and enter super mode.

Touching **"ALARM/VACATION"** button for 3 seconds to deselect vacation mode.

2.4 LOCK: Locking and unlocking

Touching **"LOCK"** button for 3 seconds to lock the control panel, then the locking and unlocking icon will be "".

In locking status, touch any button, the locking and unlocking icon will flash 3 times.

Touching **"LOCK"** button for 3 seconds to unlock the control panel, then the locking and unlocking icon will be "".

In unlocking status, all buttons are available.

If no operation in 25 seconds, the control panel will be locked automatically.

3.0 Door opening alarm

If the door keeps opening for 90 seconds, door opening alarm sounds. Close the door to stop the door opening alarm.

Or short touching **"ALARM/VACATION"** button to clear door opening alarm.

Daily Use

First use

Cleaning the interior

Before using the appliance for the first time, wash the interior and all internal accessories with lukewarm water and some neutral soap so as to remove the typical smell of a brand new product, then dry thoroughly.

Important! Do not use detergents or abrasive powders, as these will damage the finish.

- Adjust the adjustable foot to keep the appliance stable.
- For the first usage, power on the appliance for 2~3 hours before putting in foods.

Daily use

Position different food in different compartments according to below table

Refrigerator compartments	Type of food
Door or balconies of fridge compartment	-Foods with natural preservatives, such as jams, juices, drinks, condiments -Do not store perishable foods
Crisper drawer	-Fruits, herbs and vegetables should be placed separately in the crisper bin. -Do not store bananas, onions, potatoes, garlic in the refrigerator.
Fridge shelf	-Dairy products, eggs -Foods that do not need cooking, such as ready-to-eat foods, deli meats, leftovers

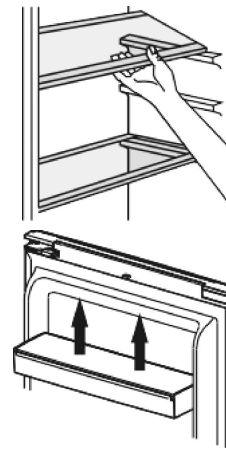
Temperature setting recommendation: 4°C is recommended.

Under recommended setting, the best storage time of freezer is no more than 3 days.

The best storage time may reduce under other settings.

Accessories Movable shelves

The walls of the refrigerator are equipped with a series of runners so that the shelves can be positioned as desired.



Positioning the door balconies

Door balconies can be disassembled for cleaning. To make the disassembling as follows: gradually pull the balcony in the direction of the arrows until it comes free, after cleaning, reposition it.

Setting the humidity in the Crisper

Low humidity: move the regulator to the left

High humidity: move the regulator to the right



Daily Use

Helpful hints and tips

- It is a household refrigerator, which is suitable for short-term consumption foods storing, such as fruits, vegetables, beverages, etc.
Do not use it as a specialized equipment to store something with strict requirements of temperature, such as medicines, etc.
- Cooked food should be cooled to room temperature before putting into the appliance.
- It is advisable to seal the foods before putting into the appliance.
- Do not place food directly against the air outlet, it may block the air outlet and frozen the food.

Cleaning

For hygienic reasons the appliance interior, including interior accessories, should be cleaned regularly.



Caution! The appliance may not be connected to the mains during cleaning. Danger of electrical shock! Before cleaning switch the appliance off and remove the plug from the mains, or switch off or turn out the circuit breaker or fuse. Never clean the appliance with a steam cleaner. Moisture could accumulate in electrical components, danger of electrical shock! Hot vapors can lead to the damage of plastic parts. The appliance must be dry before it is placed back into service.

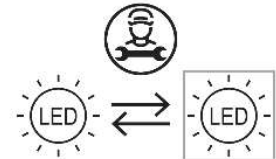
Important! Ethereal oils and organic solvents can attack plastic parts, e.g., lemon juice or the juice from orange peel, butyric acid, cleanser that contain acetic acid.

- Do not allow such substances to come into contact the appliance parts.
- Do not use any abrasive cleaners
- Remove the food from the freezer. Store them in a cool place, well covered.
- Switch the appliance off and remove the plug from the mains, or switch off or turn out the circuit breaker or fuse.
- Clean the appliance and the interior accessories with a cloth and lukewarm water. After cleaning wipe with fresh water and rub dry.
- After everything is dry place appliance back into service.

Replace the lamp

This product contains a light source of energy efficiency class 'G'

Light source in this product is replaceable only by qualified engineers.




Daily Use

Replace the lamp

The internal light is a LED type. To replace the lamp, please contact qualified technician.

Troubleshooting

 **Caution!** Before troubleshooting, disconnect the power supply. Only a qualified electrician of competent person must do the troubleshooting that is not in this manual.

Important! There are some sounds during normal use (compressor, refrigerant circulation).

Problem	Possible Cause	Solution
Appliance does not work	Mains plug is not plugged in or is loose	Insert mains plug
	Fuse has blown or is defective	Check fuse, replace if necessary
	Socket is defective	Mains malfunctions are to be corrected by an electrician
Appliance cools too much	Temperature is set too cold or the appliance runs at Super modes.	Turn the temperature regulator to a warmer setting temporarily
The food is too warm	Temperature is not properly adjusted	Please look in the initial Temperature Setting section
	Door was open for an extended period	Open the door only as long as necessary
	A large quantity of warm food was placed in the appliance within the last 24 hours	Turn the temperature regulation to a colder setting temporarily
	The appliance is near a heat source	Please look in the installation location section
Unusual noises	Appliance is not level	Re-adjust the feet
	The appliance is touching the wall or other objects	Move the appliance slightly
	A component, e.g. a pipe, on the rear of the appliance is touching another part of the appliance or the wall	If necessary, carefully bend the component out of the way

If the malfunction shows again, contact the Service Center.
These data are necessary to help you quickly and correctly. Write the necessary data here, refer to the rating plate.

TECHNICAL SPECIFICATION

Model No.	T60L2W/X
Power source	220-240V, 50Hz
Power consumption	147 KWh/year
Refrigerant	R600a
Storage Capacity	359L
Fridge Capacity	359L
Freezer Capacity	N/A
Fresh Food Freezing Capacity	N/A
Energy Efficiency rating	F class
Climate class	N, ST (16°C-32°C)



**Your Teknix appliance comes with a 2 year parts
and labour guarantee**

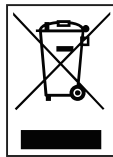
Please REGISTER your appliance online at

www.teknixwarranty.co.uk



You also have the option to
EXTEND YOUR WARRANTY To 5 years parts and labour
To register your appliance or extend your warranty

Please call 01759 487823



7?HBL! 5\$%

