



Built-in Fridge Freezer Instruction Manual

BITK702FF



Before use, please read and follow all the safety rules and operating instructions.

1. Protecting the environment and advice for disposal-----	2
2. Deciding where to locate your fridge freezer-----	2
3. Installing your appliance/Danger warnings-----	2
4. Rating plate -----	3
5. Connecting your appliance to the mains-----	3
6. Using your appliance-----	3
7. Starting up the freezer-----	3
8. Freezing/Storing of fresh food-----	3
9. Cleaning and maintenance-----	4
10. Using your fridge-----	5
11. Troubleshooting guide-----	6
12. Getting your appliance serviced-----	7

Please read these user instructions carefully to understand, quickly and thoroughly, how to use your new fridge/freezer. Underline any parts you consider particularly important. Look after this document so that you may consult it in future or pass it on to any future owners.

You have purchased a reliable appliance which will serve you for many years if it is used and maintained properly. The detailed illustrations can be found on the last pages of this user manual. The performance data on the rating plate refer to a room temperature within the range of +10°C to 38°C.

Important!

This appliance is designed for domestic use only.

The appliance has been tested against leakage in compliance with the relevant legal safety standards. If you have bought your new fridge / freezer to replace an old appliance, please make sure that all existing locks on the old appliance are destroyed before you dispose of it. This will ensure that a child cannot get trapped inside. Please have the old appliance ecologically disposed of by a company specialised in environmental protection, since the appliance may contain harmful components in the refrigerant and this must be removed with special equipment. Please check with your dealer or your local authority.

Make sure that the refrigerating system containing the refrigerant, especially the condenser at the back of the appliance, is not damaged during transportation to the disposal site, to ensure that the refrigerant does not leak out. Details of the refrigerant and insulation propellant are on the rating plate affixed to the appliance.

The user instructions may apply to several models - for this reason there may be some differences in the details given, according to the type of the appliance.

1. Protection of Environment / Advice for Disposal

Packaging

Serves to protect the appliance during transportation and recyclable materials have been used for packaging. Corrugated board/ cardboard (mainly from waste paper)

- Shaped parts in PS(foamed CFE-free Polystyrene)
- Foils and bags in PE (Polyethylene)
- Strapping tapes in PP(Polypropylene)

Please hand over all packaging to the nearest official collection point, so that all the different materials can be reused or recycled as far as possible and any illegal depositing of such materials is thus avoided.

2. Deciding where to Locate your Appliance

In order to avoid any damage or injury to persons or things, the appliance should be unpacked by two people and placed in the chosen location. Before positioning it, check that your new appliance has no visible outer damage. On no account should you start up your appliance if it is damaged. Check the appliance carefully for:

- Damage to the packaging which might indicate that the appliance has been mishandled during transportation.
- Damage to the outer case.
- Any visible damage to the cable / plug.

If in any doubt let the customer service department check the appliance. It must be avoided that any environmentally damaging refrigerant leaks out when starting up the appliance.

3. Installing your Appliance

- a) Unpack the appliance.
- b) In order not to waste raw materials, any handles have not been mounted onto the separate part of the appliance. Mount the door handles and at the same time any other enclosed parts according to the relevant instructions enclosed, if required for your model.
- c) Remove any objects from inside the appliance.
- d) Carefully remove all film and adhesive tape from the case.
- e) Remove any polystyrene pieces from around the compressor if they are included.
- f) Remove all documents and accessories inside.
- g) Clean the inside of the appliance with lukewarm water and vinegar and dry it thoroughly with a soft cloth.

- Ensure that the pipes circulating the refrigerant are not damaged in any way during installation.
- The appliance must only be used for the purpose for which it is intended.
- The appliance must be placed on a firm, level surface. This is the only way that the refrigerant can circulate freely and thus ensure that your appliance will work efficiently.
- If possible, place your appliance in a cool, well-aired dry room.
- Do not place your appliance in direct sunlight, nor in a room at high temperature.
- Do not place your appliance in the vicinity of any sources of direct heat such as heating, ovens, cookers, radiators etc. If installation near a direct heat source cannot be avoided, we recommend installing a suitable distance from the heat source.
 - From cooker: 3cm
 - From Oven: 30cm

Never obstruct the ventilation of the appliance.

Always pull out the plug, not the cable, when disconnecting the appliance from the mains supply.

Warning: Leave the appliance standing in its final location for min. 2 hours before switching it on, so that the circulation of the refrigerant stabilises and no operational problems occur. Before connecting the appliance to the power supply, ensure that it is absolutely dry inside.

Warning: Depending on its composition, the refrigerant can be inflammable. However, the refrigerant circuit has been hermetically sealed and tested many times for possible leaks. Any inexpert interference may create a fire hazard. Ensure nothing can mechanically affect the circulation of the refrigerant, in particular the accessible parts around the compressor.

Only a professional expert should intervene with the refrigerating system. Any refrigerant spilling out may injure your eyes. In the event of eye contact with the refrigerant, rinse your eyes instantly with plenty of water and consult a doctor immediately.

The appliance, according to its climate category, is meant for use at certain room temperatures lower than 38°C.

4. Rating plate

The rating plate with the technical data is located on the side of the appliance interior or outside on the rear side of the unit.

Make a note of the technical data and copy the data here below so that it is easily accessible without having to move the appliance out from its location.

- Model Number:-----
- Gross Capacity:-----
- Net Capacity:-----
- Operation Voltage:-----
- Maximum Input Power:-----
- Safety Fuse:-----
- Energy Consumption:-----
- Freezing Capacity:-----

5. Connecting your Appliance to the Mains

Your appliance must be connected only to an earthed power socket which complies to relevant standards and has been installed by an authorised specialist. Before you plug your appliance into the power socket, check that the voltage and the safety fuse for the main fuse box stated on the appliance rating plate match your electrical supply. If these do not match, please notify the nearest service department or your dealer immediately. The appliance must not be connected to an inverse rectifier (ie. solar panels)

6. Using Your Appliance

Switching on / off and selecting levels on the thermostat

To Switch On:

Turn the temperature dial to the right.

The appliance has been switched on.

The compressor is activated until the set temperature inside the appliance has been reached.

The temperature must be set according to:

- The appliance room temperature
- The quantity of food stored.
- How often the appliance door is opened.
- We recommend a medium setting. You will soon learn which is the most suitable setting for your requirements.

To Switch Off:

Turn the dial as far to the left as possible, then the compressor will switch off.

. Starting up the Freezer

1. Switch on the freezer by turning the temperature dial to the right.
2. If equipped with a super freeze switch, turn it on.

3. Do not open the door of the freezer compartment for about 2 hours, so that the temperature in the freezer can drop to the correct level.

. You can now fill the freezer with any amount of frozen food (Food which has been bought ready frozen).

. If you want to freeze fresh, chilled food, consult the chapter Freezing / Storing Fresh Food.

Warning:

- Do not store any bottled liquids in the freezer. Liquids expand when frozen and the bottle may explode.
- Never keep explosive substances or aerosol cans with inflammable propellants such as butane, propane, pentane etc. in the freezer. Any escaping gases could be ignited by electrical components. Such aerosol cans can be recognised by the list of contents or by the inflammable symbols printed on the can itself.
- When storing ready frozen food, you must follow the manufacturer's instructions on the food packaging.
- Deep frozen ice-cream must not be eaten until a few minutes after being taken from the freezer to avoid injury to lips and tongue. For the same reason, avoid touching the frozen inner walls of the freezer with wet hands.
- Defrosted or slightly frozen products should be used immediately. As a rule, such products are not suitable for re-freezing.
- Packaging should be dry to avoid items freezing together.
- Ready frozen foods should be stored so that they do not come into contact with newly added foods which have not yet frozen.

7. Instructions for the Fridge

Relevant instructions can be found in one of the following chapters.

8. Freezing / Storing Fresh Food

Almost all fresh products are suitable for freezing and storing in the freezer. For the most common of these products, a storage guide with details of acceptable storage times and the most suitable packaging is provided.

Label fresh products clearly as they are not easy to identify when deep frozen in transparent freezer bags. We recommend using commercially available labels for frozen foods.

Pack fresh products in portions suitable for your needs to avoid defrosting quantities that are too big for you to use up in one day.

Label the portions with at least the following information:

Product name, Weight of the portion, Quantity, Freezing date and Best Use By date.

Then continue as follows:

a) Berries, fruits with peel, herbs etc. should be laid out loose for freezing in the freezer drawer and then put into freezer bags after about 12 hours. Store the filled freezer bags in one of the available drawers. Fresh food should be placed in the top drawer and moved down to one of the lower drawers after approx 2 hours. Avoid putting fresh foods directly in contact with deep frozen food. The deep frozen food could defrost and may not last out the normal storage time.

b) Within a period of 2 hours fill up the freezer only with the adequate quantities of fresh food for the freezing capacity of your freezer. Consult the information on the rating plate.

c) If your freezer is equipped with a super freeze switch, switch it on. This is not necessary when filling up with already frozen foods.

Warning! Switch off the super freeze switch after 24 hours maximum.

d) Set the temperature dial to a medium to high setting.

e) Keep the temperature in the freezer under control by placing a suitable thermometer with a scale range of up to -2°C . The storage temperature must always be at least -18°C .

Refilling the Freezer with Fresh Foods

Make sure that you wait at least 2 hours before refilling with fresh food, in correct quantities according to the freezing capacity of your freezer.

Maximum Capacity

In order to ensure correct storage of frozen food, never fill the drawers up to the top.

Set the temperature dial strictly according to the filling capacity.

To save energy in normal room temperatures we recommend setting the temperature dial to a medium setting.

Storage Time

The storage time for ready deep frozen products depends on the type of the products and their ingredients. For this reason, you should strictly follow the manufacturer's instructions on the packaging.

When you want to freeze fresh foods yourself, consult the FOOD STORAGE GUIDE AT THE BACK OF THIS MANUAL. Once frozen foods have been defrosted, they should be used within between 12-24 hours.

Do not eat any food beyond its storage time, this could lead to food poisoning.

Precautions and advice

- Whenever cleaning or defrosting, remove the power plug or switch off at the mains.
- After closing the freezer door, do not open it immediately and do not force it open under any circumstances. The vacuum created by the sealing of the door is dispersed after about 1-2 minutes, so that the door can be opened normally again.
- To prevent condensation and ice forming, allow cooked food to cool down to room temperature before putting in the freezer. Leave the freezer door open as briefly as possible to avoid wasting energy and to prevent an excessive amount of ice forming in the freezer.
- Never use a screwdriver or any other sharp-edged metal tool to remove the layers of ice. The interior is very delicate and can be easily damaged by sharp edges. Use only plastic or wooden scrapers with no sharp edges.

9. Cleaning and Maintenance

Always remove the power plug or switch off at the mains.

For the upkeep of the external appearance of your fridge / freezer, clean the outside every now and again with furniture polish or with an enamel protecting product. Clean the door seal with warm water now and again but do not use any cleaning products.

Clean your appliance regularly.

- The various parts inside the fridge / freezer are generally not suitable for dish washers. These should be washed by hand with warm water and a little washing up liquid. Never use cleaning agents neat and on no account use any abrasive or acidic (ie. chemical) liquids. A gentle detergent is recommended.
- The rating plate should not be damaged and should never be removed, this is essential for servicing. Ensure when cleaning that no water runs onto any electrical parts inside the appliance.
- If there is a condenser on the back of your appliance, this should be cleaned regularly. Dust and dirt impede the release of heat from the inside and considerably increase energy consumption. For best results, use a soft brush or a duster to remove dust from the condenser.

Special Tips for Cleaning the Fridge

Clean the drain hole in the fridge from time to time with eg. cotton buds or similar, in order to keep it clear.

Switching Off the Appliance

If your appliance is going to be switched off for longer periods, it should be left opened to prevent odours from building up inside. Ice and frost layers, which build up to a certain thickness on the inside wall, can act as insulation and prevent the dispersion of cold air. These must be removed from time to time. To remove layers of ice from interior walls, use a plastic or wooden scraper with no sharp edges. Before doing this, remove the drawers and lay a cloth on the bottom of the appliance to catch the ice as it is scraped off, so that it can be easily removed.

The method least likely to damage your appliance when removing the layers of ice is to defrost it.

Defrosting

In normal circumstances the product should be defrosted by its own system, which is automatic.

Danger Warnings:

Never use electrical appliances to defrost your appliance, eg. hair dryer, fan heater, dehumidifier, de-icing spray or anything with a naked flame.

The plastic interior of your appliance could melt and the escaping gas or foam could be ignited by sparks or a naked flame .
Under no circumstances should a steam cleaning device be used to defrost layers of ice in the appliance (risk of electric shock).

Proceed as follows to defrost your appliance:

1. Use a suitable non-metallic container.
2. Ensure that you switch off at the socket and remove the plug.
3. Dry your hands thoroughly to prevent skin damage from the contact with ice.
4. Remove all frozen food from the freezer and roll it firmly in newspaper, then place it in the container and leave the container in a cool, dry room.
5. Cover the container all around with a thick blanket.
6. Remove the drawers by pulling them as far out as possible and then raising them slightly.

7. As described previously, scrape the thickest ice carefully from the freezer and put it in the kitchen sink.

8. If your appliance is equipped with a drip duct at the bottom, pull it out and place a bowl to catch the dripping water underneath.

9. If necessary, speed up defrosting by placing a large bowl of warm water on the bottom of the appliance and close the door.

10. If your appliance is not equipped with a drip duct, place an absorbent cloth underneath the front of the appliance and wipe up the defrosting water with a sponge.

11. Thoroughly clean the inside, wipe it out with warm water and a little vinegar and then rinse it out with clear water.

12. Dry it thoroughly with a soft cloth and air it for 3-4 minutes.

13. Close the door and plug the appliance back in.

14. Reset the temperature dial to the maximum setting.

15. Now refill the drawers with the frozen food, the oldest items at the top.

To prevent frozen food from defrosting, carry out the steps described above within 2 hours maximum.

10. Using the Fridge

Switch On / Off and Selecting the Temperature

The appliance is switched on automatically when it is plugged in and the power is switched on.

Temperature Settings:

Turn dial left to Lowest setting = slight cooling

Turn dial right to Highest setting = lowest temperature

The temperature must be set according to:

- Room temperature
- Quantity of stored foods
- How often the appliance is opened

We recommend a medium setting. You will soon learn, through observation, which is the most suitable setting for your requirements.

Internal Lighting:

For those models equipped with internal lighting, there is a built in switch. When the fridge door is opened, the light comes on automatically and goes off again when the door is closed. The light bulb is protected by a transparent cover. The spare bulb should be max.15W.

When replacing the light bulb, follow the instructions given on the separate sheet or the illustration on the last page of this user manual.

Changing the Light Bulb:

Never use a stronger light bulb than indicated above. The voltage indicated on the bulb must comply with the relevant data marked on the rating plate of your appliance.

- Unplug the appliance from the main fuse.
- Remove the transparent lamp cover
- Remove the old bulb by unscrewing it and screw in the replacement bulb.
- Fit the lamp cover back in place.

Temperature Range:

Due to the natural air circulation in the fridge, there is a range of different temperatures which are suitable for the storage of different foods. The coldest areas are directly over the salad crisper, in the lowest part of the fridge and against the back wall, the warmest areas are in the front upper part and on the door.

Arrange foods according to the following table and store them not too tightly packed so that the air can circulate freely. **Storing food in the fridge (from the top to the bottom)**

1. Door Storage Compartments

- a) Butter, Cheese
- b) Eggs
- c) Small Jars or Bottles, Tins, Seasonings, Larger bottles

2. Fridge Compartment (shelves and crisper)

- a) Preserves
- b) Pastries, Ready-cooked Foods
- c) Dairy / Meats and Sausages
- d) Vegetables, Fruits and Salad
Keep in sealed containers or the packaging recommended overleaf.
Alcoholic spirits should be stored tightly closed.

- Vegetables, fruits, salad can be stored unpacked in the salad crispers.
- Plastic and aluminium foils (which can be re-used) are suitable for packing food, as are metal or glass containers.
- Hot food and drinks should always be allowed to cool down outside the fridge.

e) **Troubleshooting Guides:**

High quality processes and the use of the latest refrigerating and freezing technology will basically ensure the trouble-free functioning of your appliance. If you suspect any fault, before contacting your nearest service department directly or via your dealer, make sure that you have followed all instructions and advice given in this user manual.

Please Note:

The compressor must not operate continuously. It is controlled by a thermostat with which you set temperatures. It is perfectly normal to hear noise from the compressor when the refrigeration system is running.

In unheated rooms and in cold weather conditions, condensation can build up on the outer walls of the appliance. This does not mean there is fault and it will disappear when the temperature increases.

Only call the service department if after analysis of the possible fault factors, you cannot find any cause for the defect or you are able to eliminate the fault yourself.

- a) The appliance does not function (it is not running)
 - Is the plug in good order and is it plugged in the socket properly?
 - Is the electricity coming through? (check this by possibly plugging in a smaller appliance)
 - Is the appliance switched on? (temperature dial should not be set to 0)

In the event of a fault or of a power failure, the insulation of the appliance walls provides 2 - 5 hours storage time for frozen foods after the beginning of the power cut.

Considerably more time is possible in specially insulated appliances. Ask your dealer what is the relevant storage time in an emergency.

If it takes longer to resolve a problem, the frozen food in the appliance begins to defrost. Therefore, please take prompt action to resolve the problem and, if necessary, move the frozen food to another freezer (perhaps to another refrigerator).

- b) If your appliance is not cooling correctly, the freezing process is taking too long and the compressor is running too often:

Please check:

- Did you ensure that the fridge / freezer was left to stand for at least 2 hours before switching it on? (To stabilise the circulation of the refrigerating fluid) See "Starting Up"

If not, unplug your appliance and lift it to one side, with the door closed, for a short while, ie. tilt it and then place it back down on the floor again. After 2 hours, plug it back in. Do not open the door again for about 12 hours.

If the door does not close tightly and it not sealing properly:
Test: place a sheet of paper between the seal and the casing and close the door. It should be difficult to pull out the paper.

- Heavy ice forming on the inside walls of the freezer (see Cleaning and Maintenance)
- The appliance is exposed to direct sunlight or it is sited near a direct heat source.
- Protect the appliance against direct sunlight / check the distance from the heat source / place an insulation plate between the appliance and the source of heat.
See: Choosing where to Install your Appliance)
- The freezer has been filled up with a quantity of fresh food in excess of the freezing capacity indicated on the rating plate.
- Is the ventilation working properly, the ventilation grille covered or is the condenser on the outer rear wall full of dust?

c) Your appliance is excessively noisy:

Please check:

- Is the cabinet standing level and steady or are any nearby objects or items of furniture being vibrated by the cabinet? Ensure everything at the rear is free and carefully bend back any parts touching.

Note: Slight bubbling noises are normal for this type of refrigeration system.

Warning:

On no account should you undertake any technical interventions or attempts at repair on your appliance.

12. Getting Your Appliance Serviced:

Any repairs or interventions on the appliance should only be carried out by your nearest service department, as otherwise the user may run considerable risks and the guarantee may not longer be valid.

Consult the enclosed guarantee card to see which company is responsible for servicing your appliance.

If there is no indication of the nearest service department in the documentation provided, then contact your dealer.

Repairs by the service department to eliminate faults which have occurred because of non-adherence to the information and advice given in this user manual, will be charged to the customer and are not covered by the guarantee.

In order to receive immediate help, make sure you have the following essential data ready to identify your appliance:

- Model Number
- Date of Purchase
- Name and Address of your Dealer
- Description of the Fault

13. Guarantee:

The terms and duration of the guarantee are those stated on the guarantee card or indicated elsewhere in this manual.

14. Building in the appliance

Relevant instructions are included among the other appliance documentations.

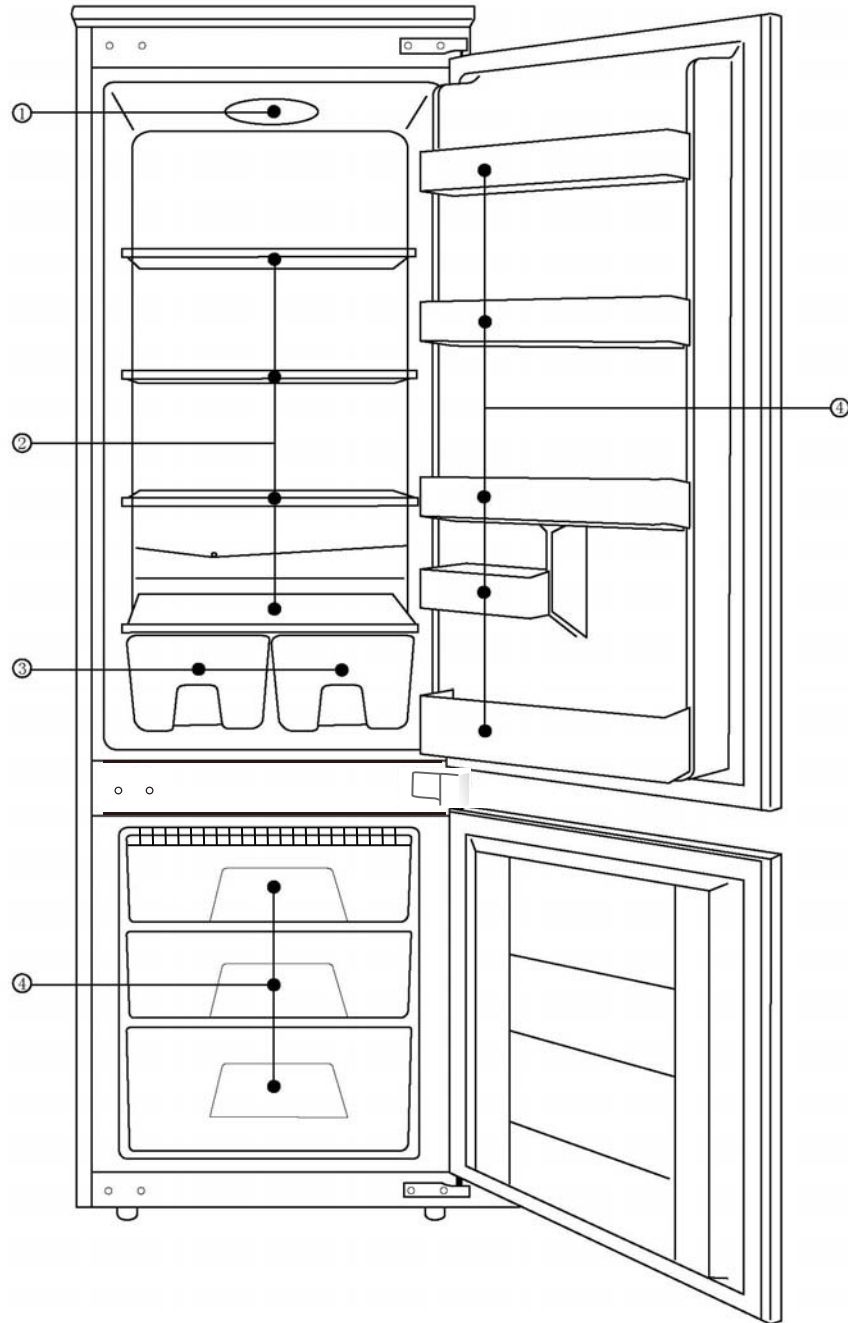
As these products are subject to continual improvement, they are subject to change without prior notice.

STORAGE TABLE

Fresh Food	Suitable Packaging	Approx. Storage time in Weeks				
		2-3			8	10-12
Mince meat	Polyethylene bag	●				
Sausages	Polyethylene bag	●				
Small Fish	Polyethylene bag	●				
Offal	Polyethylene bag	●				
Ice Cream	Plastic container	●				
Fruit	Plastic container	●				
Cheese	Polyethylene bag		●			
Bread	Polyethylene bag		●			
Large Fish	Polyethylene bag		●			
Cake / Biscuits	Plastic container		●			
Pork	Aluminium foil			●		
Beef	Aluminium foil			●		
Lamb	Aluminium foil			●		
Mushrooms	Polyethylene bag			●		
Asparagus	Polyethylene bag			●		
Vegetables	Polyethylene bag			●		
Strawberries	Polyethylene bag			●		
Quiche	Aluminium foil			●		
Chicken	Aluminium foil				●	
Turkey	Aluminium foil				●	
Duck	Aluminium foil				●	
Goose	Aluminium foil				●	
Cauliflower	Polyethylene bag					●
Beans	Polyethylene bag					●
Pepperoni	Polyethylene bag					●
Preserves	Glass container					●
Preserved Fruit	Glass container					●
Ice Lollies	Aluminium foil					●

Remarks: The above data are only for reference.

Refrigerator Diagram



① Control Panel and Lamp

③ Fresh Food Container

⑤ Bottle Holder

② Food Shelf

④ Drawers

This diagram may vary slightly with the layout of the refrigerator you have just purchased due to technical improvements.

Installation And Ventilation

This appliance must never be installed close to heat sources, e.g. heating elements, cookers or in damp places.

- The cooling system at the rear of the appliance must not touch the rear wall.
- The appliance must be installed with adequate ventilation. Ensure that there is clearance above the appliance to allow air to escape and that there is space between the rear of the appliance and the wall.

The diagram shows the ventilation requirements for your appliance. Failure to provide adequate ventilation can lead to increased running costs and premature failure and may invalidate the guarantee provided with the appliance.

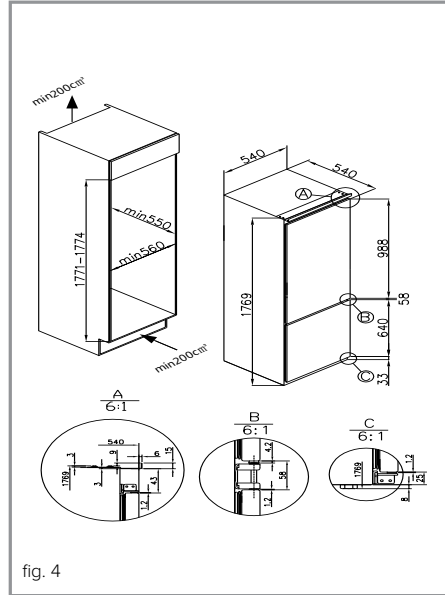


fig. 4

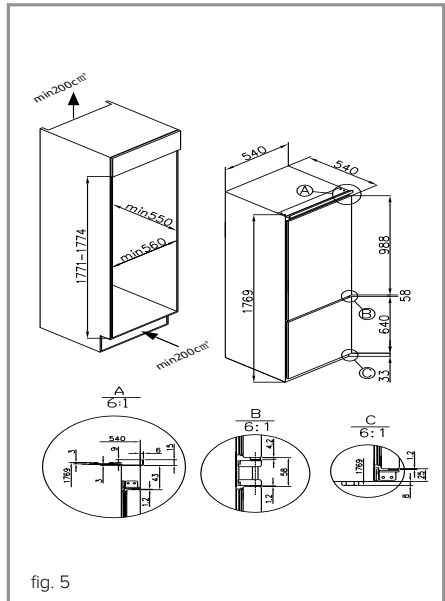


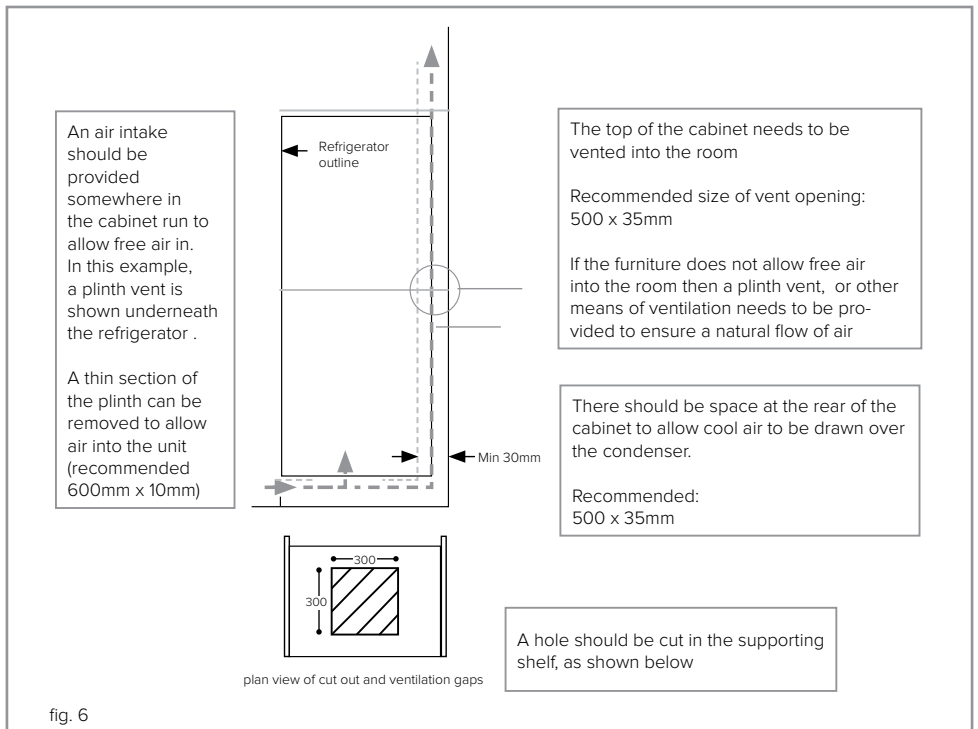
fig. 5

Ventilation

The main consideration when installing any refrigeration unit into a fitted kitchen is ventilation. The heat removed from the cooling compartment needs to be dissipated into the atmosphere. Incorrect ventilation can lead to premature compressor failure, excessive power consumption and total system failure. For products intended to be installed into a tall housing unit, the following requirements need to be met:-

Important

Please follow the instructions to install this unit.



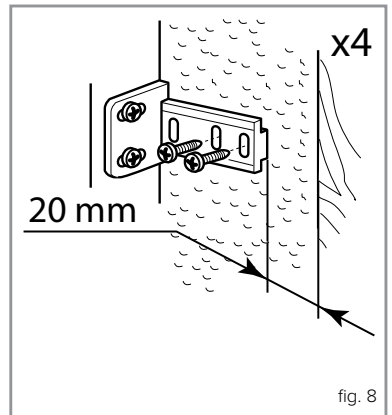
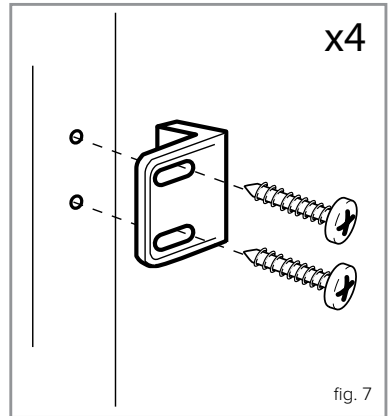
The open channel at the rear is clearly shown. For the correct operation of the appliance it is important that the top of the housing unit is not blocked off. A channel depth of 40-50mm is normal with most units.

A hole is shown in the base shelf of the unit; this allows air to be drawn over the compressor & heat exchange. Some installers fit a decorative plinth vent. In most cases this is not required, but is a welcome aesthetic addition.

As a rule, the more air can get in, the better and more efficient the operation of the product.

Mounting the Fascia Door

- Using a screwdriver, fix the mounting brackets to the appliance door, as shown in figure 7.
- Position the appliance within the unit. Ensure that there is a gap of 3 to 4mm between the non-hinged side and the cabinet wall.
- Locate the slider in the bracket and fix the slider to the fascia door 20 to 22mm from the edge of the fascia as shown in figure 8, ensuring that the slider is positioned centrally and horizontally within the bracket. Tighten securely by hand.
- Fill the gap on the non-hinged side with the seal strip provided, as shown in figure 9.



Reversing the Doors

We recommend you seek the help of another individual to support the doors whilst performing this operation.

1. Carefully prise off the cover cap for the top hinge and unscrew the screws fixing the top hinge to the appliance, you should support the upper door whilst doing this.
2. Carefully remove the upper door and place it somewhere safe. Note that there are spacers between the door and the hinge; note how many and their position.
3. Remove the central hinge by removing the 3 screws fixing it to the appliance; support the lower door whilst doing this.
4. Remove the lower door and place it somewhere safe, again noting the position of any spacer pieces.
5. Swap the previous top hinge to the opposite side at the bottom.
6. Refit the lower door using any spacers and position the central hinge on the door. After removing the 3 cover caps, fix the hinge securely to the appliance.
7. Swap the previous bottom hinge to the opposite side at the top. Refit the upper door and the “new” top hinge and fix securely to the appliance.
8. Fit the central cover caps and top hinge cover pieces in place to complete the process.
9. Unscrew all four slider brackets from the doors and swap them over to the side furthest from the new hinge positions, before the decor door is fitted.

Ensuring the doors seal correctly:

It is normal for the seal to be compressed after the door has been reversed.

With the door closed, use a hair dryer to expand the seal and fill the gap between the door and the body of the appliance.

Take care not to use the hair dryer too close to the appliance, which could damage the seal. A distance of approximately 10cm should be adequate.

When completed, allow the seal and door to cool before touching them. Once done, the seal will remain in position.

Manufacturer's Declaration

The manufacturer hereby declares that this product meets the re-quirements of the following European directives:

- Low Voltage Directive 2014/35/EC
- Electromagnetic Compatibility (EMC) Directive 2014/30/EC
- ErP Directive 2009/125/EC
- Directive RoHS 2011/65/EC

and has thus been marked with the symbol and been issued with the CE symbol and been issued with a declaration of compliance made available to market regulators.